



# YOSHIMURA

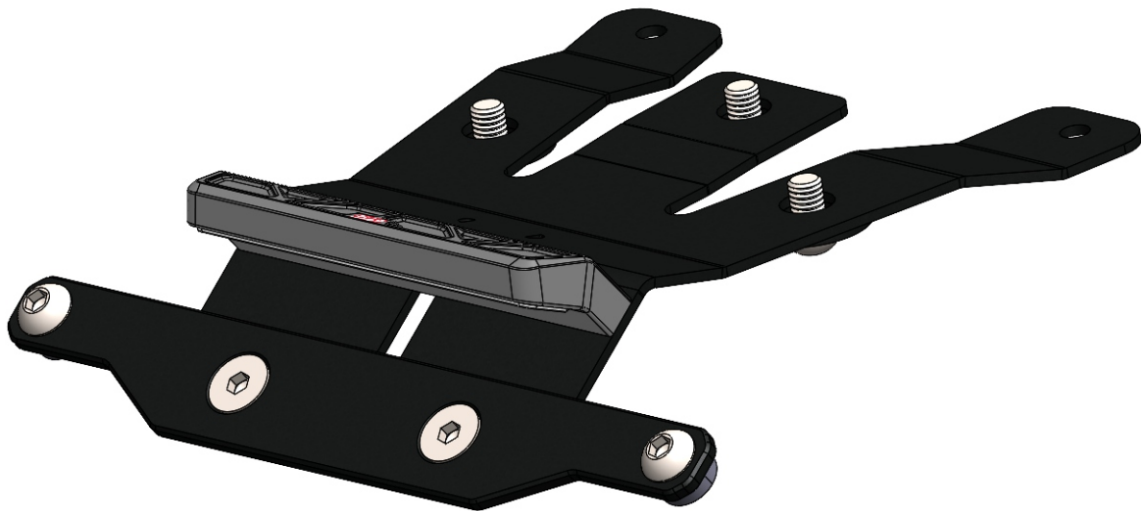
RESEARCH&DEVELOPMENT OF AMERICA, INC.

5420 DANIELS STREET STE A, CHINO CA., 91710 · (800) 634-9166 · (909) 628-4722 · FAX (909) 591-2198

[www.yoshimura-rd.com](http://www.yoshimura-rd.com)

## **FENDER ELIMINATOR KIT**

**075BG121300**  
**Honda Monkey**



**THIS PRODUCT IS NOT DOT APPROVED.**

Yoshimura R&D of America, Inc. is not liable or responsible for any resulting event caused by the installation of this product. Check with local laws and regulations for compliance prior to installation and use. This product is not intended for use on public highways.



x1



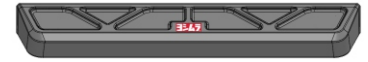
12130-FEBKT-1  
Fender Eliminator Bracket

x1



FE-LP-BKT  
License Plate Bracket

x1



075BG-LH-H1  
License Plate Light

x1



ZT-400  
Cable Tie

x2



M6X12FS  
6mm x 12mm  
Flat Head Screw

x7



M6X10BHS  
6mm x 10mm  
Button Head Cap Screw

x2



M4X6BHS  
4mm x 6mm  
Button Head Cap Screw

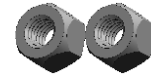
### Assembly Diagram

x5



6MMWASHER-SS  
6mm Stainless Washer

x2



6MMLN-SS  
6mm Nylon Lock Nut



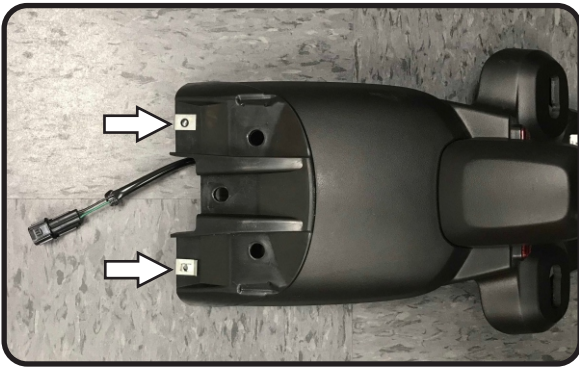
Button head screws, washers, and lock nuts are for the bottom two license plate holes.

**IMPORTANT NOTE:**

***This kit does not include turn signal brackets to install OEM or aftermarket turn signals. Ensure you have all necessary components prior to beginning installation.***

## Removal

1. Remove lower rear fender cover by removing the two tapping screws and two push rivets.
2. Locate and disconnect license plate light connector.
3. While securely supporting the stock fender assembly, remove the three bolts securing the fender assembly to upper fender and carefully remove.



Note: The two stock spring clip nuts will be re-used with the Yoshimura fender eliminator kit. Remove from fender assembly and set aside for later use.

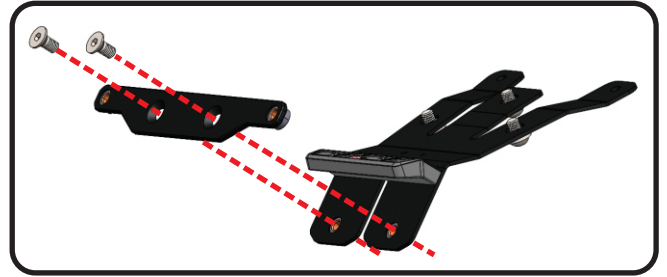
4. Remove the two tapping screws securing metal fender support bracket to the fender assembly to access license plate light wire.

## Installation

1. Install *075BG-LH-H1*, fender eliminator light onto *12130-FEBKT-1*, fender eliminator bracket using *M4X6BHS*, 4mm screws.

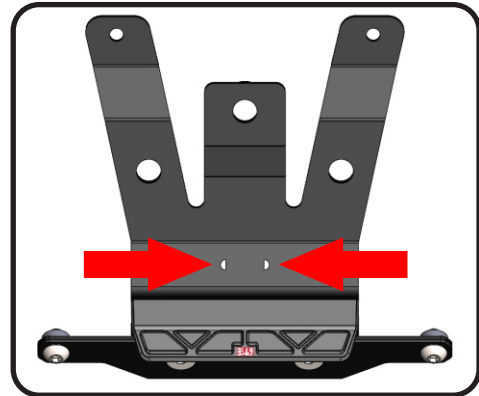


2. Install *FE-LP-BKT*, license plate bracket onto *12130-FEBKT-1*, fender eliminator bracket using *M6X12FS*, flat head allen screws.



Note: *M6X10BHS*, button head screws, will be used to secure the license plate to *FE-LP-BKT*, license plate bracket. *6MMLN-SS*, nylon lock nuts and *6MMWASHER-SS*, washers are for the bottom license plate holes.

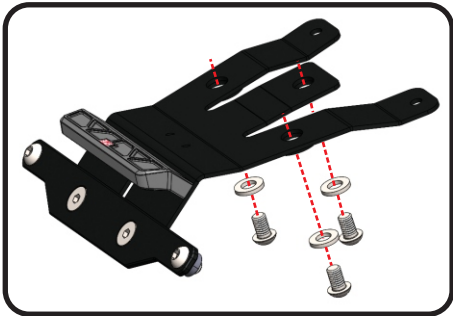
3. Route *ZT-400*, cable tie through *12130-FEBKT-1*, fender eliminator bracket's crescent holes to secure license plate light in a later step. Do not tighten at this time.



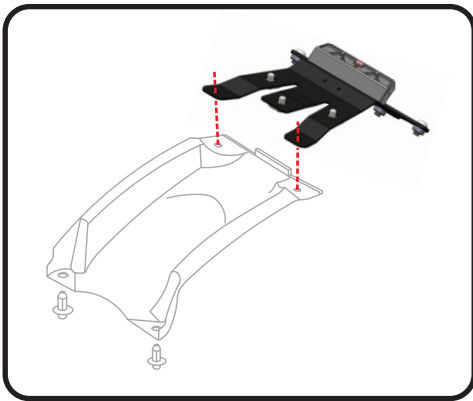
4. Install stock spring clip nuts onto *12130-FEBKT-1*, fender eliminator bracket.



5. Install *12130-FEBKT-1*, fender eliminator bracket to upper fender using *M6X10BHS*, 6mm screws and *6MMWASHER*, 6mm washers and connect license plate light connector.



6. Tighten *ZT-400*, cable tie to secure license plate wires to the fender eliminator bracket.
7. Re-install the stock lower fender cover using the two tapping screws and push rivets.



8. Check for proper function of license plate light and turn signals and that all brackets and components are secure prior to riding.